
KIT PART NUMBER 4310105
INSTRUCTIONS FOR INSTALLING A DUMB COIN MECHANISM
UPGRADE TO A SHOPPERTRON

CHECK THE PARTS RECEIVED IN THE KIT WITH THE PARTS LIST IN THESE INSTRUCTIONS. IF ANY PARTS ARE MISSING, CONTACT THE NATIONAL VENDORS PARTS DEPARTMENT IMMEDIATELY.

Read these instructions carefully before installing the kit.
Keep these instructions for part numbers and for future reference.

This kit contains the following :

PART NUMBER	DESCRIPTION	QUANTITY
1570057	LABEL - COIN MECH. FUSE - ENGLISH	1
1571035	STANDOFF - PCB - 3/8 SNAP LOCK	4
1579003	HARNESS - 120V COIN ADAPTER	1
4319010	HARNESS - POWER TO COIN HANDLING	1
9989659	PCB ASSEMBLY - DUMB MECH POWER SUPPLY	1
4310106	INSTALLATION INSTRUCTIONS - KIT 4310105	1

1. Remove electrical power by doing one of the following:
 - a. Unplug the machine, or
 - b. Turn off the circuit breaker at the power source, or
 - c. Remove the fuse at the power source.
2. Remove the power panel.
3. Insert four standoffs into the power panel as shown (see figure 1).
4. Mount the PCB assembly onto the standoffs as shown (see figure 1).
5. Connect the 120 coin adapter harness (1579003) between the power panel and the PCB assembly as shown (see figure 2).
6. Connect the power to coin handling harness (4319010) to the PCB assembly, and route it between the power panel and the coin mech.
7. Install the label in the location shown (see figure 1).
8. Install the power panel.
9. Restore power to the machine.

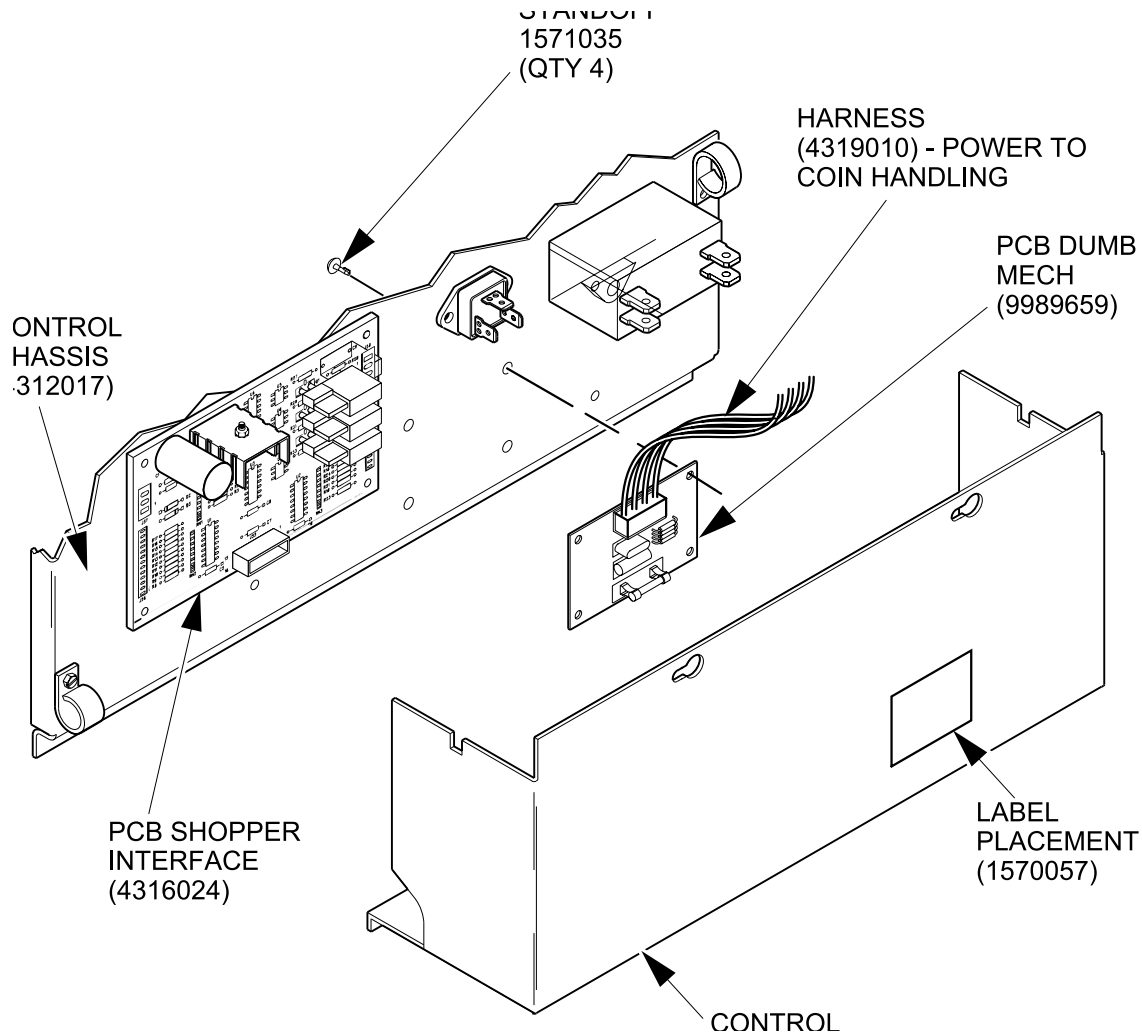
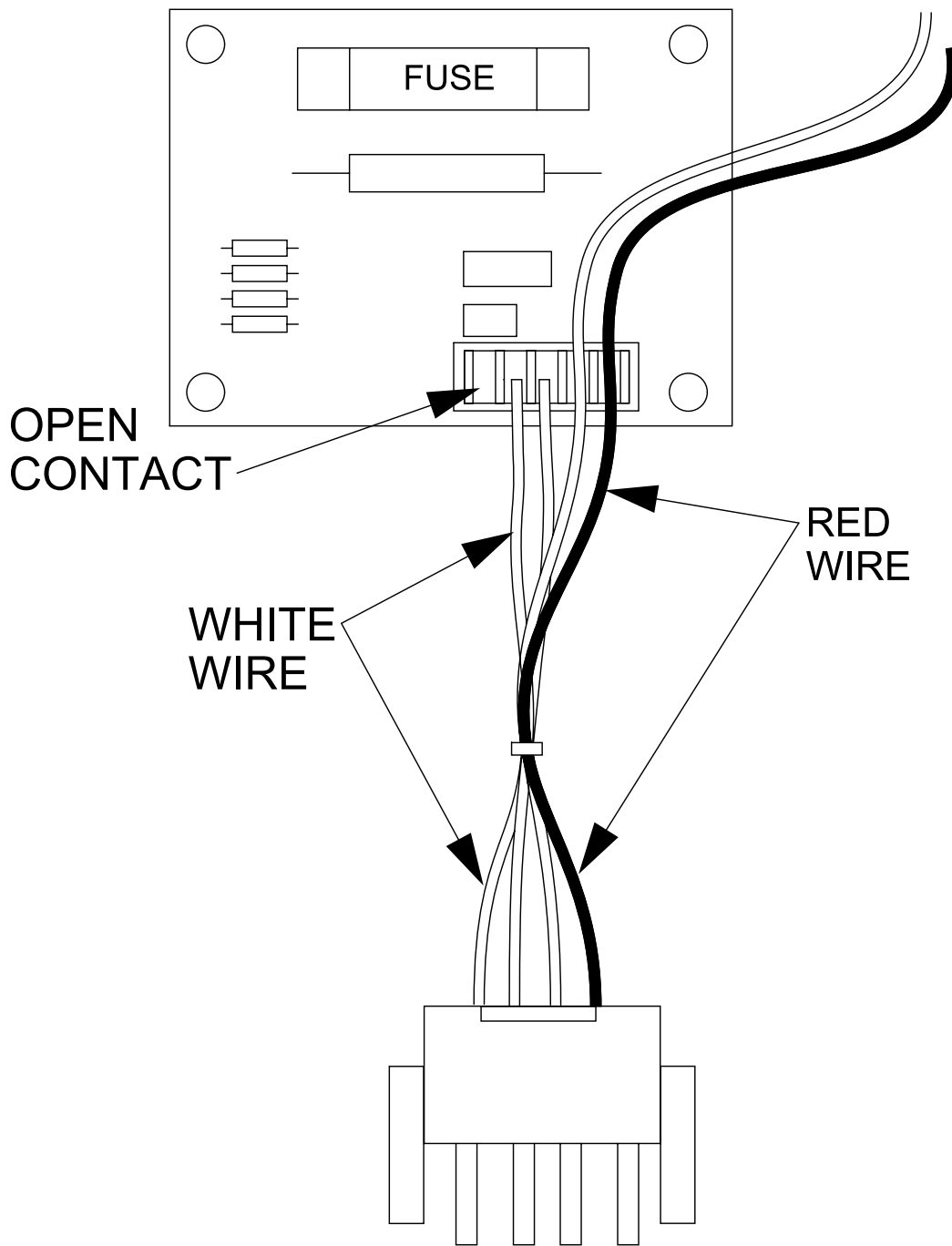


Figure 1



OPTION - DUMB MECH. PCB INSTALLATION

167pk008

Figure 2